

GENORAY Co.,Ltd.

512, 560, Dunchon-daero, Jungwon-gu,
Seongnam-si, Gyeonggi-do, 13230, Korea
Tel. +82-31-5178-5500
Fax. +82-31-5178-5599
genoray@genoray.com
www.genoray.com

GENORAY America Inc.

147 E. Bristol Lane Orange, CA 92865 USA
Tel. +1-855-436-6729
Fax. +1-714-786-8919
inquiry@genorayamerica.com
www.genorayamerica.com

GENORAY EU GmbH

Jerusalem Str. 14, 10117 Berlin, Germany
Tel. +49-30-509-694-98
Fax. +49-30-530-198-08
info@genorayeuropa.com

GENORAY Japan

Mismicoach Office Building 2F,
Shin-Yokohama 1-4-7 Minato-ku, Yokohama City,
Kanagawaken, 222-0033, Japan
Tel. +81-45-620-4971 Fax. +81-45-620-4972
Info@genorayjapan.co.jp
www.genorayjapan.co.jp

GENORAY Türkiye

19 Mayıs mah. İnönü cad. Sümer sok. Sümko
Sitesi i-2 Blok D.3 Kozyatağı 34742. İstanbul Türkiye
Tel. +90-216-463-57-37, +90-216-463-57-53
Fax. +90-216-463-57-80
Ultramedikal@ultramedikal.com.tr



 **GENORAY**

* This X-ray unit may be dangerous to patient and operator unless safe exposure factors and operating instructions are observed.

© GENORAY CO.,LTD. Ver. Dec. 2022

CE
2460

DVAS

Intra Oral Standard X-ray System



 **GENORAY**

DVAS

SERIES From Genoray

Driven by a passion for X-ray technology, Genoray is committed to leading a healthy lifestyle by constantly improving our products.



DVAS-C

Chair type - Fixed

- Width : 466mm
- Height : 2061mm
- Depth : 1141mm
- Weight : 44kg ± 5%



DVAS-C

Chair type - Foldable

- Width : 466mm
- Height : 2061mm
- Depth : 1141mm
- Weight : 42kg ± 5%



DVAS-M

Mobile type

- Width : 748mm
- Height : 1894mm
- Depth : 1663mm
- Weight : 34kg ± 5%



DVAS-W

Wall-mount type

- Width : 200mm
- Height : 1111mm
- Depth : 2448, 2194, 2067, 1940mm
- Weight : 22kg ± 5%



DVAS-C

Chair type - Fixed

- Width : 466mm
- Height : 2061mm
- Depth : 1141mm
- Weight : 44kg ± 5%



DVAS-C

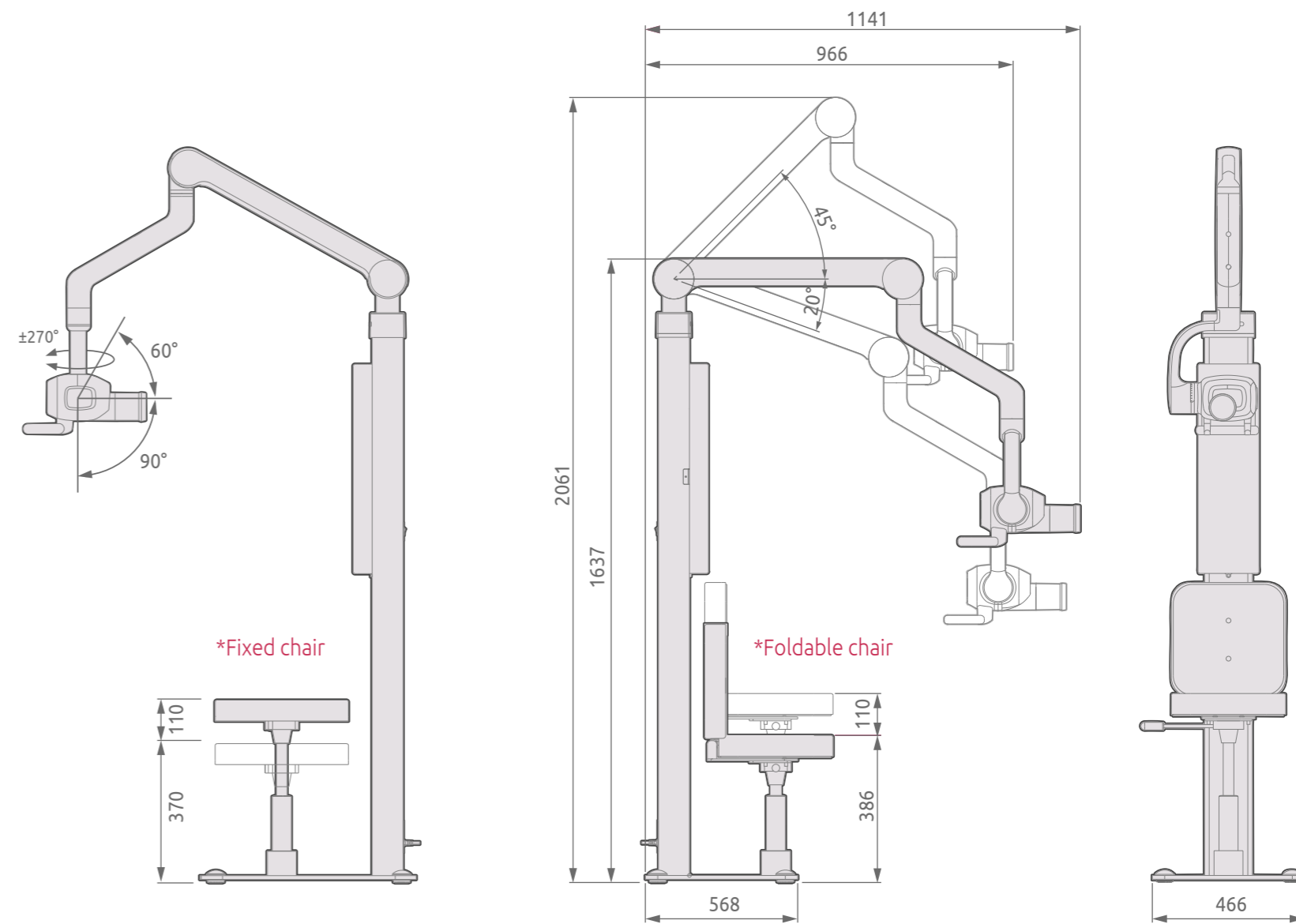
Chair type - Foldable

- Width : 466mm
- Height : 2061mm
- Depth : 1141mm
- Weight : 42kg ± 5%



Dimensions Chair type - Fixed, Foldable

Unit : mm





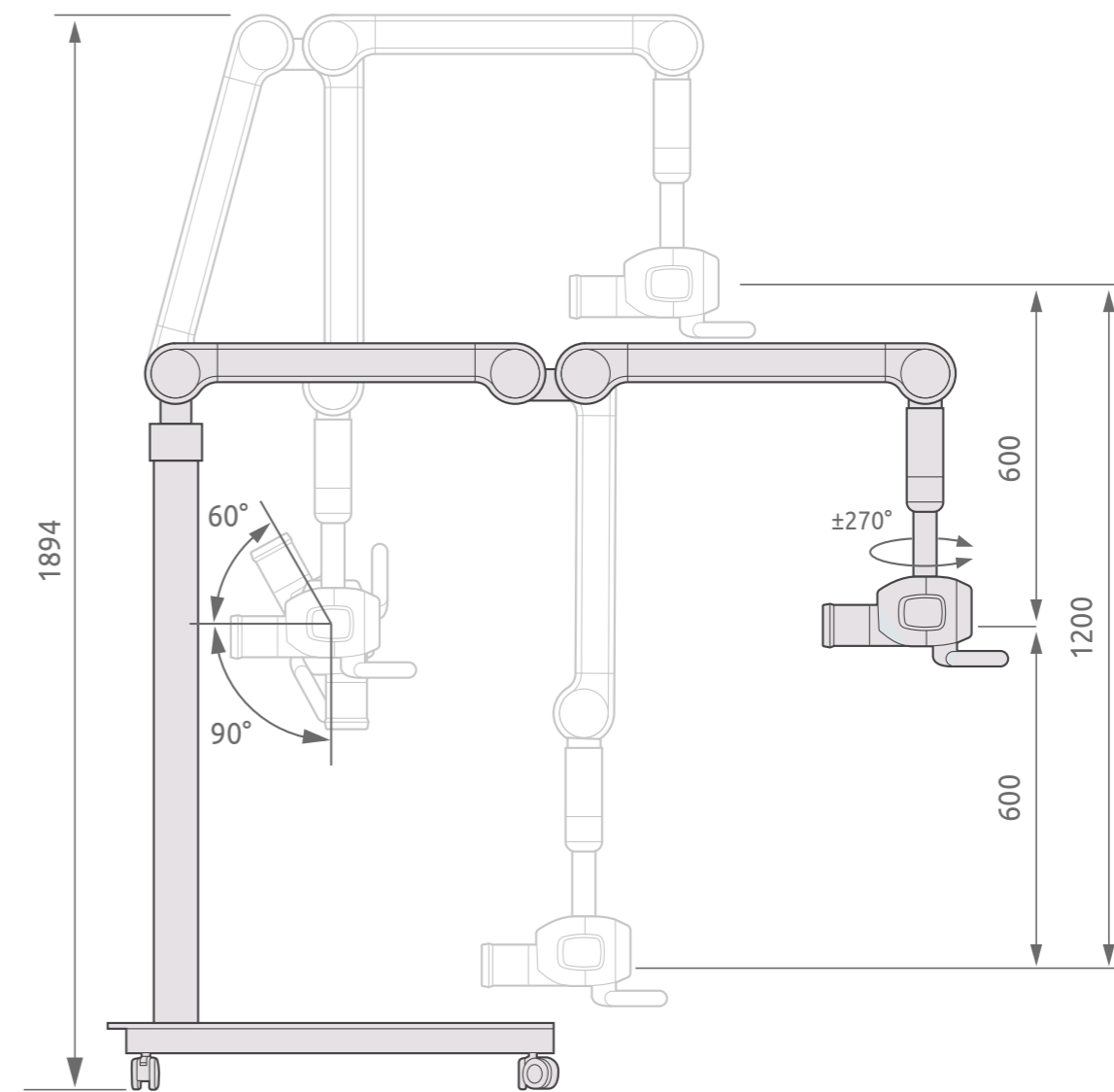
DVAS-M

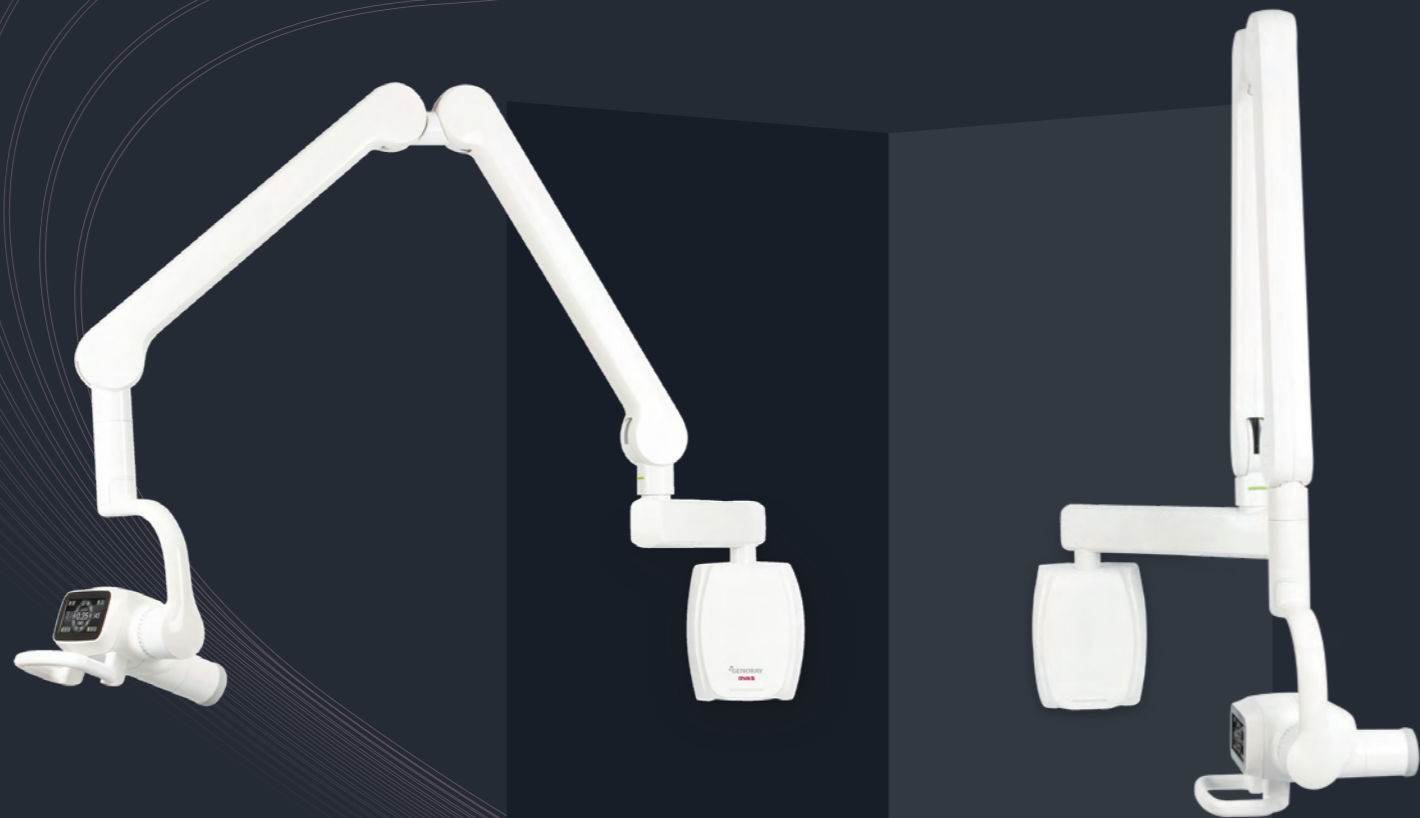
Mobile type

- Width : 748mm
- Height : 1894mm
- Depth : 1663mm
- Weight : 34kg ± 5%

Dimensions Mobile type

Unit : mm





DVAS-W

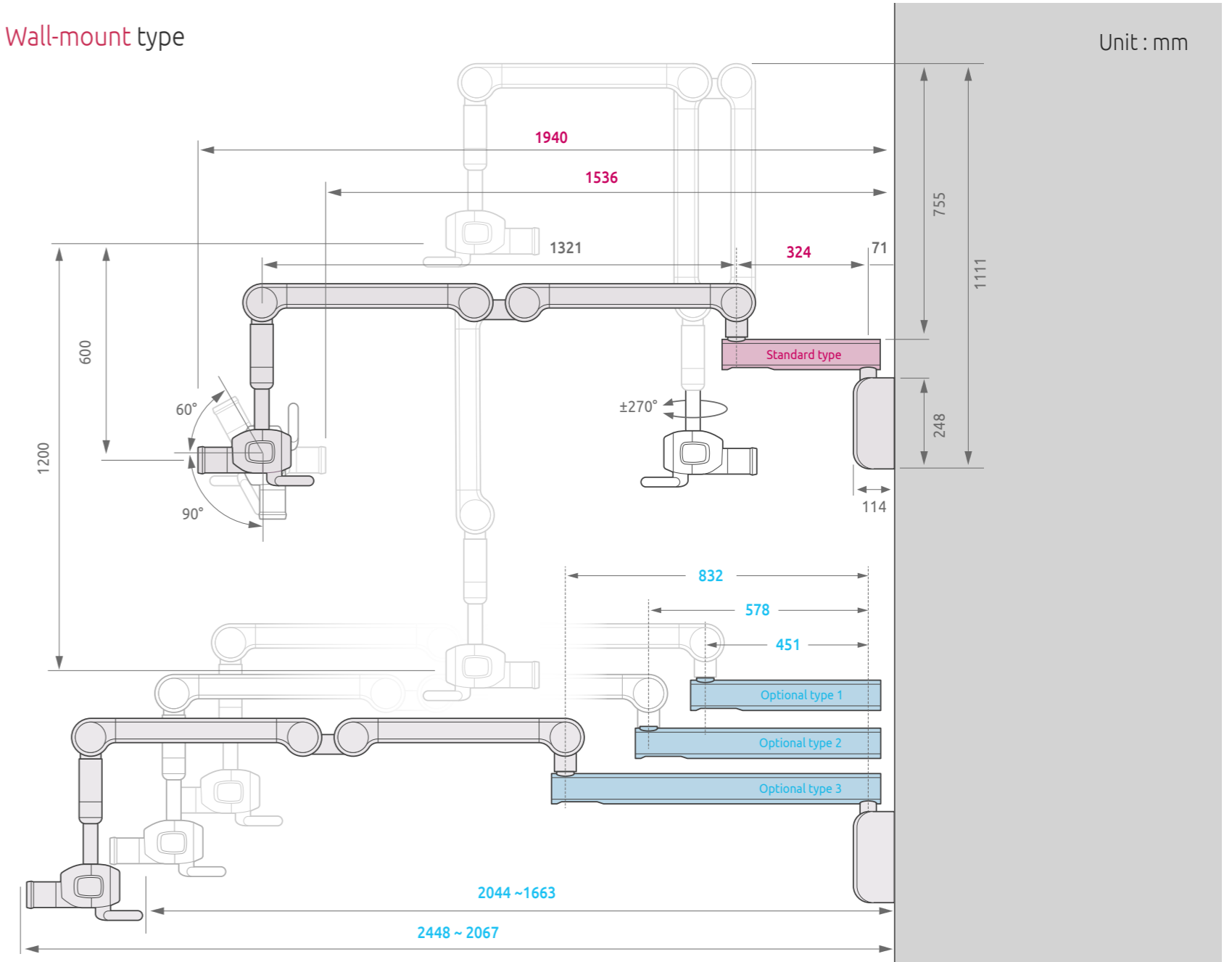
Wall-mount type

- Width : 200mm
- Height : 1111mm
- Depth : 1940mm / 2067mm / 2194mm / 2448mm
- Weight : 22kg ± 5% / 22.6kg ± 5% / 23.3kg ± 5% / 24.6kg ± 5%

■ Standard ■ Optional

Dimensions Wall-mount type

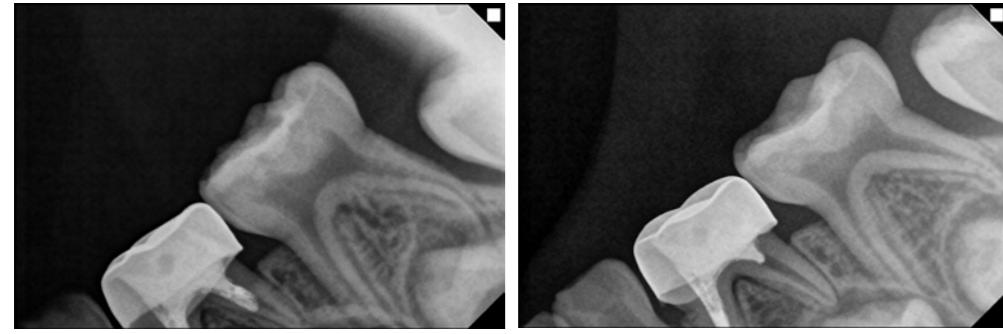
■ Standard ■ Optional



Features



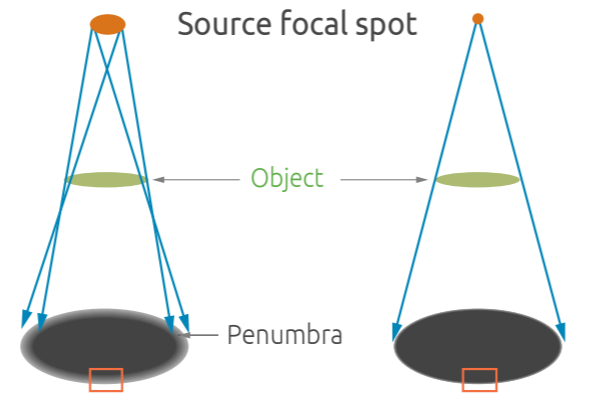
Focal spot size



Focal spot 0.8mm

DVAS Focal spot 0.4mm

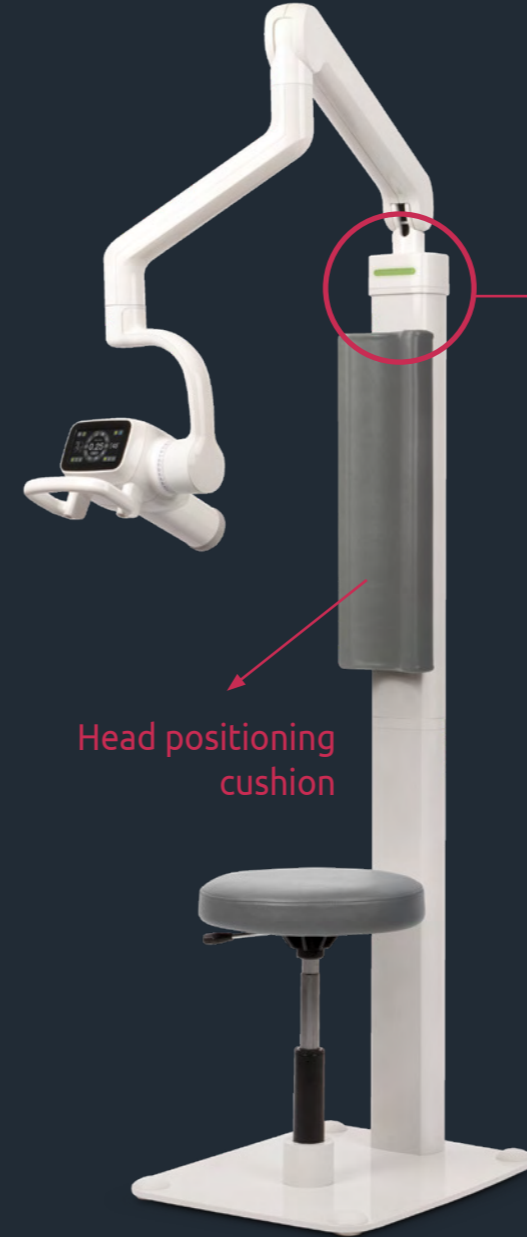
Clinical images



Blur edge



Clear edge



LED Pointer

The LED for the X-ray position guide is activated on the patient



Touch screen

Color LED indicator



Ready



Error

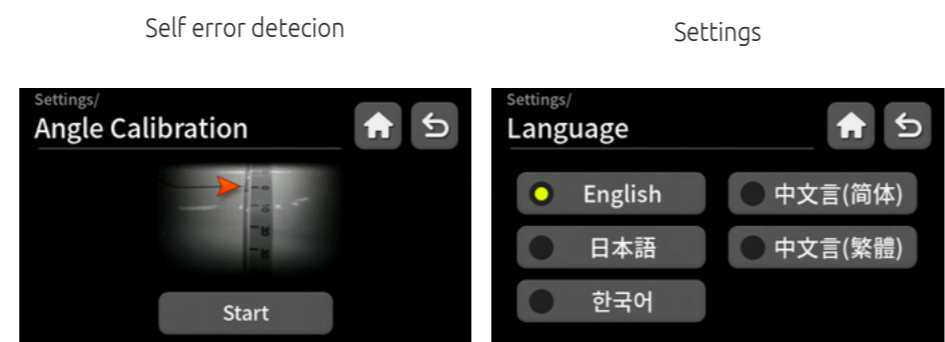
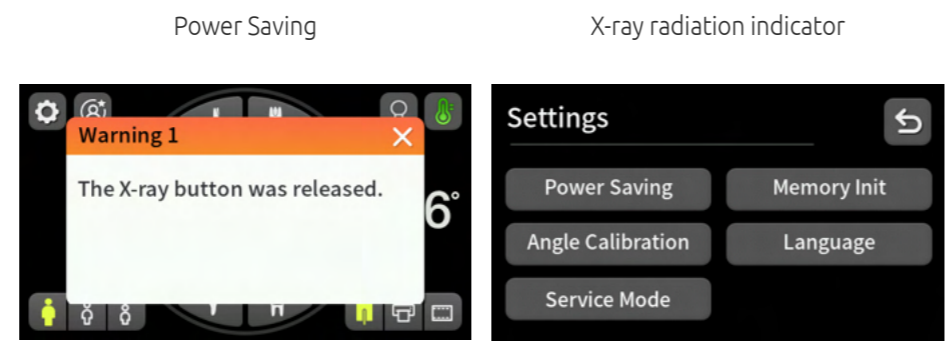
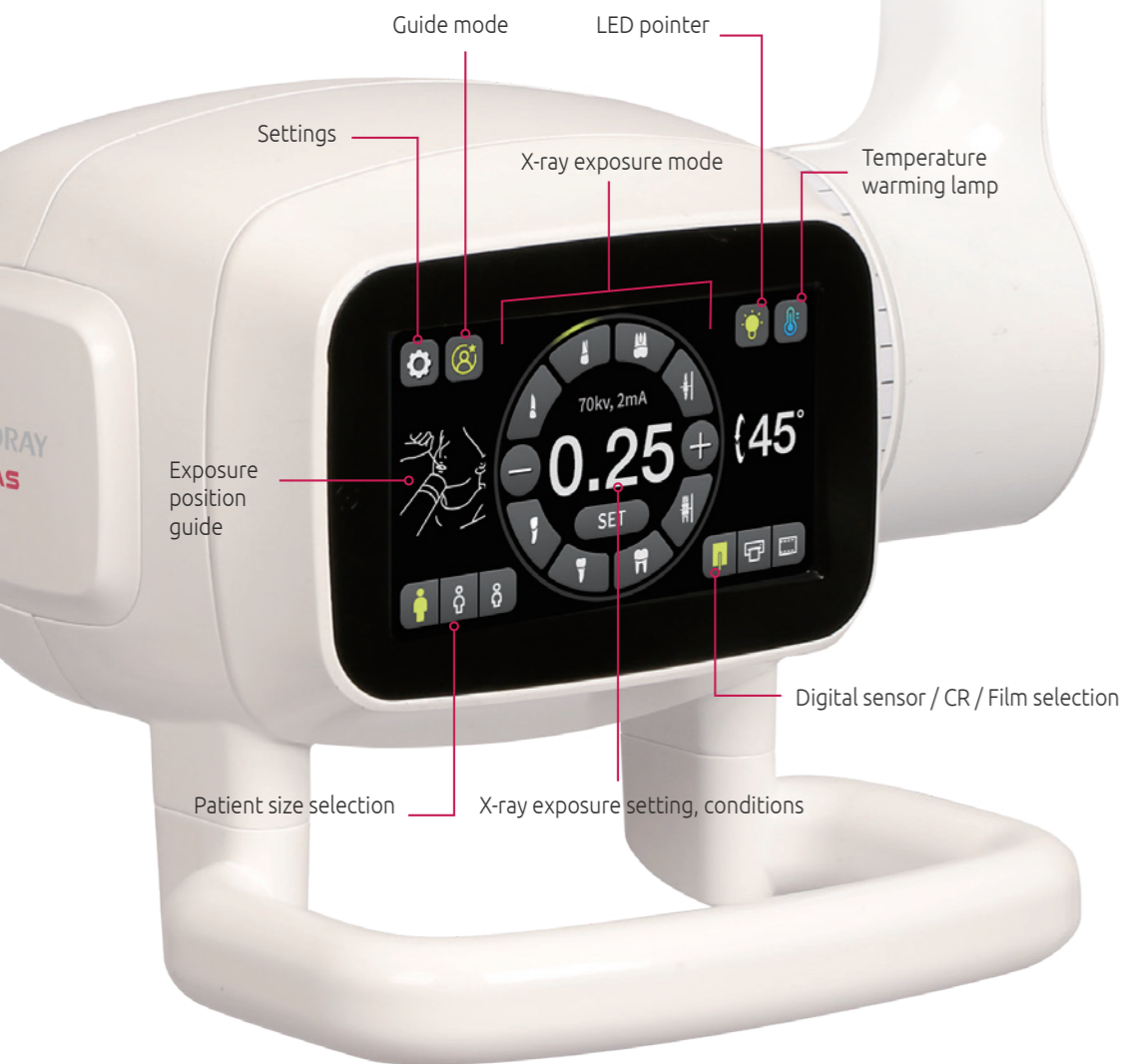


X-ray exposure

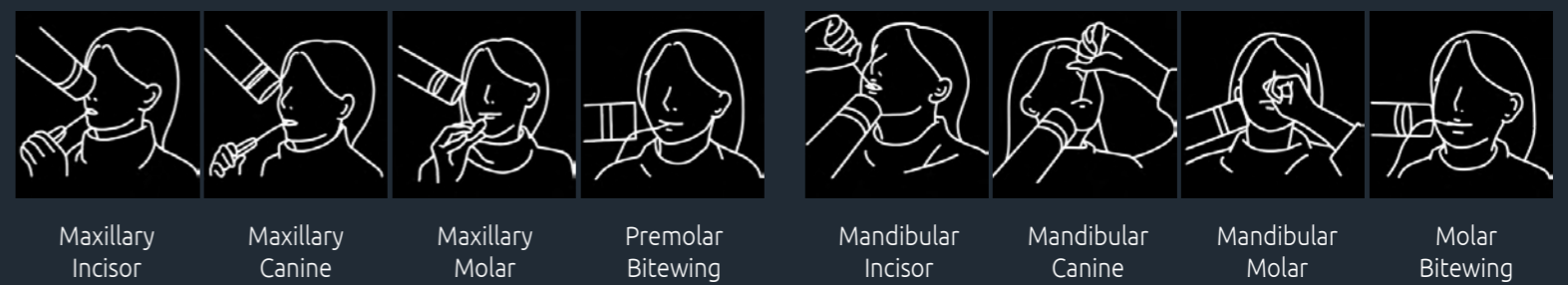


Cooling time

Convenient user interface



Guide mode When the button is pressed, the exposure position guide automatically appears based on the selected angle



Specifications

Items	Specifications
Nominal focal spot value	0.4 mm
Rated tube potential	70 kV
Rated tube current	2 mA
Rated Line voltage	100–240 V AC 50/60Hz
Rated Line current	3.7A (100 V) – 1.3A (240 V)
Line voltage range	±10%
Exposure time	0.05 – 1.6 sec.
Total filtration	2.2 mm Al
Source to skin distance (SSD)	200 mm Min
Half value layer	2.7 mm Al
Density preprogram	Digital sensor
	Image plate (CR)
	Film



**GENORAY MAKES THE
INVISIBLE VISIBLE**