

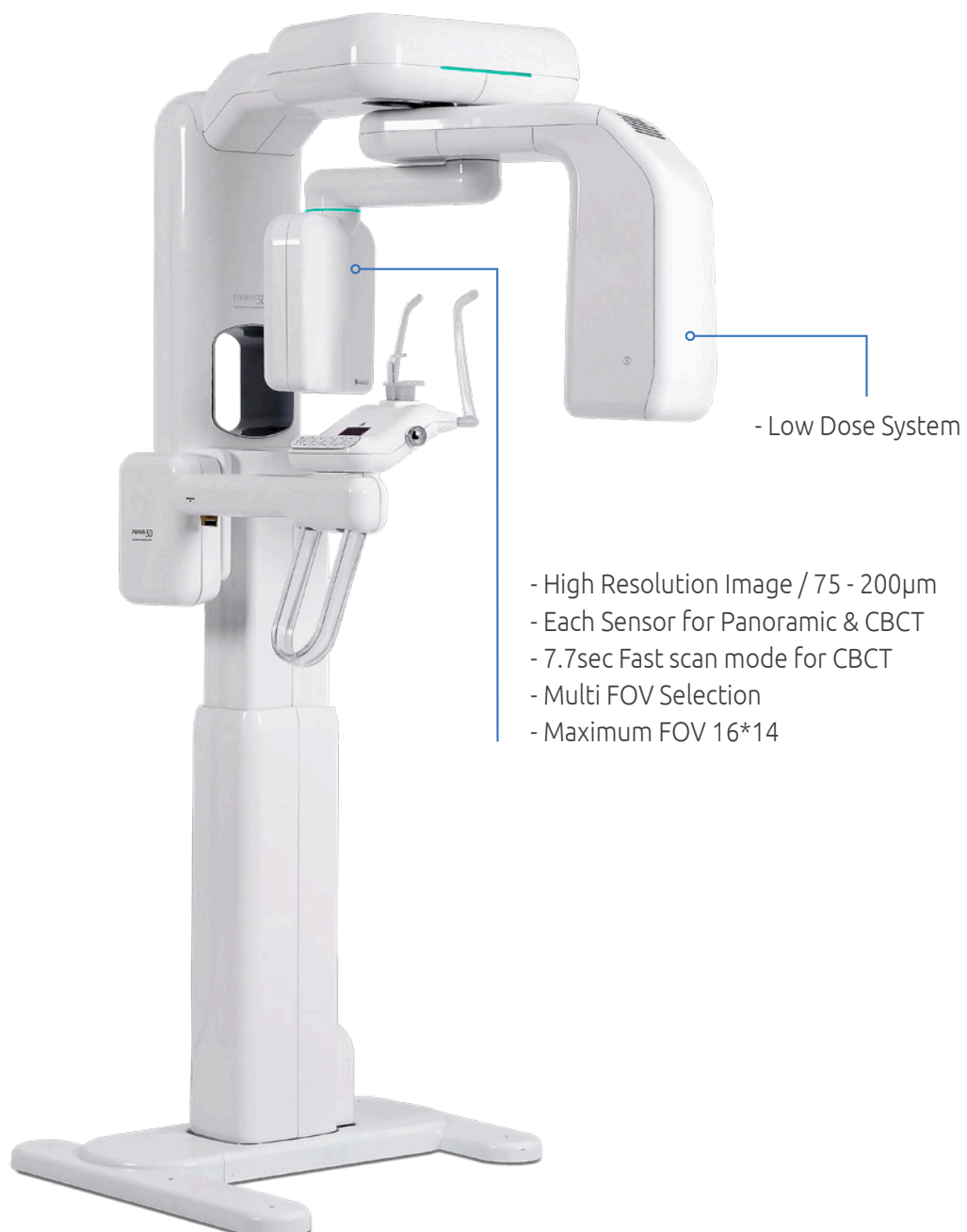
Combination Dental X-ray Imaging System

# PAPAYA 3D

Combination Dental X-ray Imaging System

# PAPAYA 3D

PAPAYA 3D offers Multi FOV selections up to 16x14 for CBCT and exceptional images through self-developed CMOS detector. With high technology of CBCT system, it is able to provide 7.7 secs of fast scan mode reducing dose, motion artifacts and image distortion.



# 1. Digital Image Detector

## Digital CBCT Detector

Digital Image Detector (Manufacture)	DualRay-S
Detector Type (Material)	CsI / CMOS
Detector Size (mm)	167W x 150H x 38D
Active image area (mm)	130 x 128
Active Pixels (Image Matrix)	1,320 x 1,280 pixel
Pixel Pitch	100 $\mu$ m
Data bit	12bit for pixel
DQE (70kV,0lp/mm)	$\geq 0.7$
MTF (1lp/mm)	$\geq 0.5$

## Digital Panoramic Detector

Digital Image Detector (Manufacture)	Extor-P
Detector Type (Material)	CsI / CMOS
Detector Size (mm)	73W x 168H x 21.7D
Active image area (mm)	6.45 x 150
Active Pixels (Image Matrix)	86 x 2,020 pixel
Pixel Pitch	75 $\mu$ m
Data bit	12bit for pixel
DQE (70kV,0lp/mm)	$\geq 0.7$
MTF (1lp/mm)	$\geq 0.6$

## 2. X-Ray Generator

Type	High Frequency Generator (40 kHz)	
kV Range	60 - 90kV (1kV steps)	
mA Range	CBCT	4 - 12mA
	Panoramic	4 - 12mA
Max mA	CBCT	12mA
	Panoramic	12mA
Exposure Time	CBCT	Max 15sec
	Panoramic	Max 17sec

## 3. X-Ray Tube

Tube Model	D-054SB
Anode Material / Type : Tungsten / Stationary Anode	
Tube Diameter	Max 58mm
Target Angle	5°
Focal Spot	0.5mm
Anode Heat Storage Capacity	35kJ
Anode Cooling rate	Max 250W
Inherent Filtration	0.8mmAl
Added Filtration	2.0mmAl

## 4. Exposure Mode

Patient Option	Big / Middle / Small / Child
2D   Exposure Resolution	Normal / Fast / HD
3D   Image Resolution	Low Dose / Normal / High Def. / High Res. / Endodontic

\* : Option

## CBCT Mode

---

Tooth, Teeth, Jaw, TMJ, Face\*

---

\* : Option

## Panoramic Mode

Panoramic	Standard / Orthogonal / Bitewing
TMJ	Lateral / PA / LAT-PA
Sinus	Leteral Mid / Lateral / PA(Sinus PA)

## ModelScan\* Mode

---

Stone, Impression

---

\* : Option

## 5. Size of FOV (Field of View)

### CBCT Mode

Tooth	Φ35-H40, Φ35-H60, Φ40-H50, Φ40-H70
Teeth	Φ60-H40, Φ60-H60, Φ70-H40, Φ70-H70, Φ70-H50, Φ70-H70, Φ80-H50, Φ80-H80
Jaw	Φ140-H50, Φ140-H80, Φ160-H50, Φ160-H80
TMJ	Φ160-H50, Φ160-H80
Face*	Φ140-H140, Φ160-H140

\* : Option

### ModelScan\* Mode

Stone	Φ140-H80
Impression	Φ140-H80

\* : Option

## 6. Size of Voxel

### CBCT Mode

Tooth	75, 100, 150μm
Teeth	100*, 150, 200μm
Jaw	200, 400μm
TMJ	200, 400μm
Face*	200, 400μm

\* : Option

## ModelScan\* Mode

Stone	200µm
Impression	200µm

## 7. Scan Time

### CBCT Mode

Tooth	7.7sec
Teeth	7.7sec
Jaw	14.5sec
TMJ	14.5sec
Face*	29sec

\* : Option

### Panoramic Mode

Panoramic	9 - 17sec
TMJ	2 - 16ec
Sinus	3 - 11sec

### ModelScan\* Mode

Stone	14.5sec
Impression	14.5sec

\* : Option

## 8. Acquisition / Software

### Workstation

CPU	G4400 3.3Ghz
RAM	8GB (DDR4 2400)
HDD	1TB (C: 150GB / D: 750GB)
OS	Windows 10 64bit
Removable Storage	CD/DVD & USB2.0

### TRIANA™

Control by Contrast, Brightness and Window/Level
Zooming / Panning
Measuring the Distance, Angle and Area
Image Inversion Flip and Rotation
Magnifying Glass (2D Viewer)
Image Processing (Unsharp-mask - 2D Viewer)
Drawing Free-pen, Line, Rectangle, Ellipse and Text (2D Viewer)
Implant Drawing & Library
Image Comparing (Up to 4 at once)
Managing Image Mounts and Viewing for each Modalities
Import Images (Twain, PACS Retrieve, Import - 2D Viewer)
Export Images (DICOM Print, PACS Storage, CD Burn, Export)
MAR-Volume Reconstruction
STL(from Volume) Export and Model Scan
Volume Slice Export Module
Volume Rendering
Volume Viewing Property Control
Oblique MPR(Multi-Planar Reformat) Module
Curved MPR Module(Panoramic Section, Cross-section)
Nerve Drawing
Implant BMD(Bone Mineral Density)



---

Control by Contrast, Brightness, Gamma and Window/Level

---

Zooming / Panning

---

Measuring the Distance, Angle, Area and Scalar-Profile

---

Image Inversion flip and rotation

---

Image Processing(Sharpen, Unsharp-mask, Denoising)

---

Drawing Free-pen, Line, Figure and Text

---

Implant Drawing & Library

---

Crown Drawing & Template

---

Image Comparing (Up to 9 at once)

---

Managing Image Mounts and Viewing for each Modalities

---

Import Images (Twain, PACS Retrieve, Import)

---

Export Images (DICOM Print, PACS Storage, CD Burn, Export)

---

Report Template & Print

---

MAR-Volume Reconstruction

---

STL(from Volume) Export and Model Scan

---

Volume Slice Export Module

---

Volume Rendering

---

Volume Clipping and Sculpture

---

Volume Viewing Property Control

---

Oblique MPR(Multi-Planar Reformat) Module

---

Curved MPR Module(Panoramic Section/Volume, Cross-section)

---

TMJ Module(TMJ Section/Volume, Cross-section)

---

Nerve Drawing and Collision Check

---

Implant BMD(Bone Mineral Density) and Collision Check

---

Treatment Objects Manager

---

Axis Short-cut and Object Viewing Short-cut

---

## Displays

Screen	21.5"(55cm) LED Color Display
Image Matrix	1,920 x 1,080 Pixels (Full-HD)
Maximum Brightness	250 cd/m <sup>2</sup>
Contrast Ratio	1:1,000

## DICOM Features

DICOM Storage (Send/Receive)
DICOM Query/Retrieve
DICOM Print
DICOM Worklist Management

## 9. Operating Environment

Nominal Line Voltage	AC 100 - 240V
Input Current	20A
Line Frequency	50/60Hz
Phase	Single Phase

## For Storage

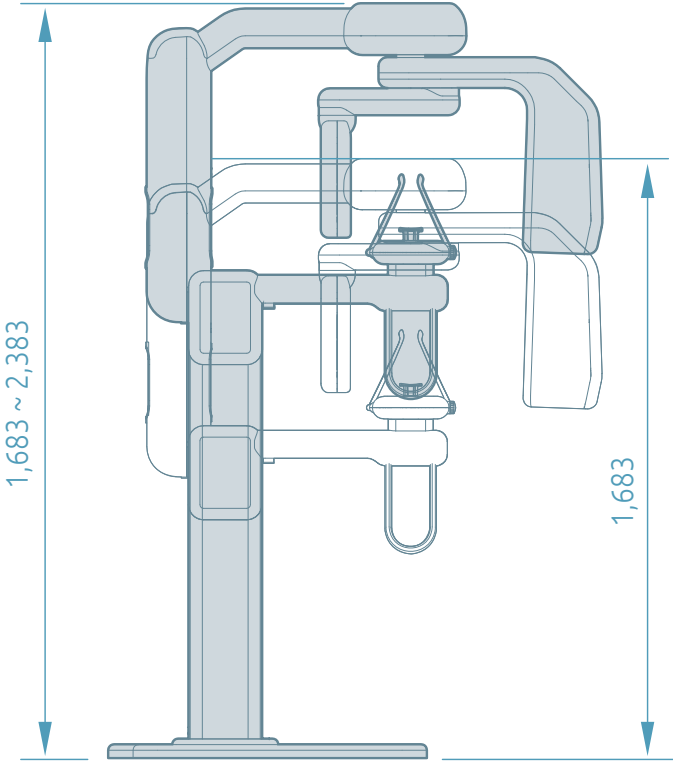
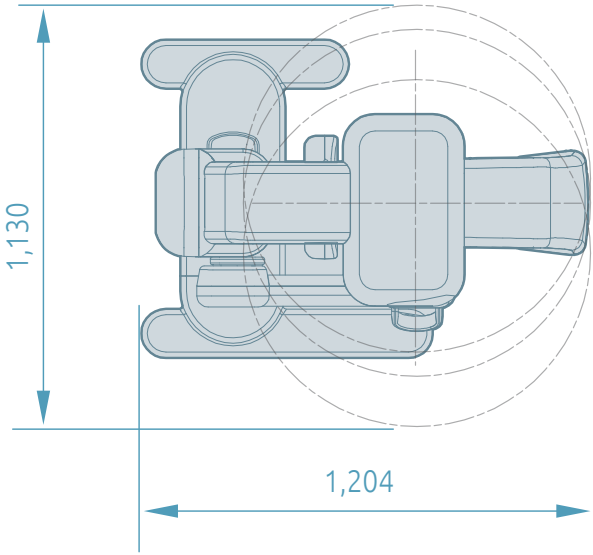
Temperature	-20 - 55°C (Detector: -15 - 55°C)
Relative Humidity	10 - 90% RH (No dew condensation)
Atmospheric Pressure	500 - 1,060hPa

## For Operation

Temperature	10° - 35°C
Relative Humidity	30 - 75% RH (No dew condensation)
Atmospheric Pressure	800 - 1,060hPa

# 10. Dimensions

- Weight : 145kg  $\pm$  5%
- Dimension : 1,204(W) x 1,130(D) x 2,383(H) mm





### **GENORAY Co.,Ltd.**

512, 560, Dunchon-daero, Jungwon-gu,  
Seongnam-si, Gyeonggi-do, 13230, Korea  
Tel. +82-31-5178-5500 Fax. +82-31-5178-5599  
genoray@genoray.com  
www.genoray.com

### **GENORAY America Inc.**

147 E. Bristol Lane Orange, CA 92865 USA  
Tel. +1-855-436-6729 Fax. +1-714-786-8919  
inquiry@genorayamerica.com  
www.genorayamerica.com

### **GENORAY EU GmbH**

Westhafenstr. 1 13353 Berlin, Germany  
Tel. +49-30-509-694-98 Fax. +49-30-530-198-08  
info@genorayeuropa.com

### **GENORAY Japan**

2F Ishibashi-Bldg, 1-4-15 Shinyokohama, Kouhoku-ku,  
Yokohama-city, kanagawa, 222-0033 Japan  
Tel. + 81-45-620-4971 Fax. +81-45-620-4972  
Info@genorayjapan.co.jp  
www.genorayjapan.co.jp