

Upgraded 4 in 1 Dental X-ray Imaging System

PAPAYA 3D **Premium** Plus

Upgraded 4 in 1 Dental X-ray Imaging System

PAPAYA 3D Premium Plus

PAPAYA 3D Premium Plus is born to perfect your diagnosis with Multi FOV selections up to 23x24 for CBCT and One-shot Cephalometric. With high technology of CBCT system, it is able to provide 4 in 1 system(CBCT, Panoramic, Cephalometric, Model Scanning).



1. Digital Image Detector

Digital CBCT Detector

Digital Image Detector	FXDD-0909GA
Detector Type (Material)	TFT / Csi
Detector Size (mm)	261W x 256H x 50D
Active image area (mm)	229.12 x 229.12
Effective Pixels	1,280 x 1,280 px
Frame rate	30 fps
A/D Convert	16bits
DQE	$\geq 0.6(0.5\text{lp/mm})$ or $\geq 0.55(1\text{lp/mm})$
MTF	$\geq 0.78(0.5\text{lp/mm})$ or $\geq 0.55(1\text{lp/mm})$

Digital Image Detector	DualRay-S
Detector Type (Material)	CMOS / Csi
Detector Size (mm)	167W x 150H x 38D
Active image area (mm)	130 x 128
Effective Pixels	1,300 x 1,280 px
Frame rate	30 fps
A/D Convert	12bits
DQE	$\geq 0.3(1\text{lp/mm})$ or $\geq 0.05(2\text{lp/mm})$
MTF	$\geq 0.5(1\text{lp/mm})$ or $\geq 0.2(2\text{lp/mm})$

Digital Panoramic Detector

Digital Image Detector (Manufacture)	Extor-P
Detector Type (Material)	CMOS / Csi
Detector Size (mm)	73W x 168H x 21.7D
Active image area (mm)	151.5 x 6.45
Effective pixels	2,020 x 86 px
Frame rate	200 fps
A/D Convert	12bits
DQE	$\geq 0.6(70\text{ kV}, 0\text{ lp/mm})$
MTF	$\geq 0.6(1\text{ lp/mm})$

Digital Cephalometric Detector

Digital Image Detector (Manufacture)	Extor-C
Detector Type (Material)	CMOS / Csi
Detector Size (mm)	73W x 255H x 21.7D
Active image area (mm)	227.25 x 6.45
Effective pixel	3,030 x 86 px
Frame rate	200 fps
A/D Convert	12bits
DQE	≥ 0.6(70 kV, 0 lp/mm)
MTF	≥ 0.6(1 lp/mm)

Digital Image Detector (Manufacture)	FXDD-1012CA
Detector Type (Material)	TFT / Csi
Detector Size (mm)	343W x 285H x 45D
Active image area (mm)	235.95 x 317.44
Effective pixel	2,048 x 2,560 px
Frame rate	One shot
A/D Convert	16bits
DQE	≥ 0.52 @ 0.5lp/mm (or ≥ 0.47 @ 1lp/mm)
MTF	≥ 0.85 @ 0.5lp/mm (or ≥ 0.67 @ 1lp/mm)

2. X-Ray Generator

Type	HF Inverter 50 kHz	
kV Range	60 - 90kV	
mA Range	CBCT	4 - 12mA
	Panoramic	4 - 12mA
	Cephalometric	4 - 12mA
Scan/Exposure Time (sec)	CBCT	7.7 - 14.5 (Advanced mode : Max 24)
	Panoramic	2 - 17
	Cephalometric	2 - 15.5 (Scan type) / 0.2 - 2.5 (One shot type)

3. X-Ray Tube

Tube Model	D-054SB
Anode Material / Type	Tungsten / Stationary Anode
Target Angle	5°
Focal Spot	0.5mm
Anode Heat Capacity	35 kJ
Anode Cooling rate	250 W
Inherent Filtration	0.8 mm Al
Total Filtration	2.8 mm Al

4. Exposure Mode

Patient Option	Big / Middle / Small / Child
Exposure Resolution	Normal / Fast / HD / Ultra Fast
Image Resolution	Low Dose / Normal / High Def. / High Res. / Endodontic
Cephalometric Option	Normal / Wide

CBCT Mode

Tooth, Teeth, Jaw, TMJ, Face*, Skull*

* : Option

Panoramic Mode

Panoramic	Standard / Orthogonal / Bitewing
TMJ	Lateral / PA / LAT-PA
Sinus	Leteral Mid / Lateral / PA(Sinus PA)

Cephalometric Mode

Lateral / PA / AP / Water's view / SMV / Carpus

ModelScan* Mode

Stone, Impression

* : Option

5. Size of FOV (Field of View)

CBCT Mode

Tooth	Φ35-H40, Φ35-H60, Φ40-H50, Φ40-H70, Φ40-H80
Teeth	Φ60-H40, Φ60-H60, Φ70-H40, Φ70-H50, Φ70-H70, Φ80-H50, Φ80-H80, Φ100-H50, Φ100-H100
Jaw	Φ140-H50, Φ140-H80, Φ145-H50, Φ145-H100, Φ160-H50, Φ160-H80, Φ180-H50, Φ180-H100
TMJ	Φ160-H50, Φ160-H80, Φ180-H50, Φ180-H100
Face*	Φ140-H140, Φ160-H140, Φ145-H145, Φ180-H145
Skull*	Φ230-H145, Φ230-H245

* : Option

ModelScan* Mode

Stone	Φ140-H80, Φ145-H100
Impression	Φ140-H80, Φ145-H100

* : Option

6. Size of Voxel

CBCT Mode

Tooth	75, 100, 150µm
Teeth	100, 150, 200µm
Jaw	200, 400µm
TMJ	200, 400µm
Face*	200, 400µm
Skull*	200, 400µm

* : Option

ModelScan* Mode

Stone	200µm
Impression	200µm

* : Option

7. Scan Time

CBCT Mode

Tooth	7.7sec
Teeth	7.7sec
Jaw	14.5sec
TMJ	14.5sec
Face*	14.5 - 29sec
Skull*	29sec

* : Option

Panoramic Mode

Panoramic	12sec
TMJ	4sec
Sinus	5 - 9sec

Cephalometric Mode

Cephalometric (Scan type)	4 - 12sec
Cephalometric (One-shot type)	0.2 - 1.0sec

ModelScan* Mode

Stone	14.5sec
Impression	14.5sec

* : Option

8. Acquisition / Software

Workstation

CPU	G4400 3.3Ghz
RAM	8GB (DDR4 2400)
HDD	1TB
OS	Windows 10 64bit
Removable Storage	CD/DVD & USB2.0

THEIA™

Control by Contrast, Brightness, Gamma and Window/Level

Zooming / Panning

Measuring the Distance, Angle, Area and Scalar-Profile

Image Inversion flip and rotation

Image Processing(Sharpen, Unsharp-mask, Denoising)

Drawing Free-pen, Line, Figure and Text

Implant Drawing & Library

Crown Drawing & Template

Image Comparing (Up to 9 at once)

Managing Image Mounts and Viewing for each Modalities

Import Images (Twain, PACS Retrieve, Import)

Export Images (DICOM Print, PACS Storage, CD Burn, Export)

Report Template & Print

Displays

Screen	23.8" LED Color Display
Image Matrix	1,920 x 1,080 Pixels (Full-HD)
Maximum Brightness	250 cd/m ²
Contrast Ratio	1:1,000

DICOM Features

DICOM Storage (Send/Receive)

DICOM Query/Retrieve

DICOM Print

DICOM Worklist Management

9. Operating Environment

Nominal Line Voltage	AC 100 - 240V
Input Current	20A
Line Frequency	50/60Hz
Phase	Single Phase

For Storage

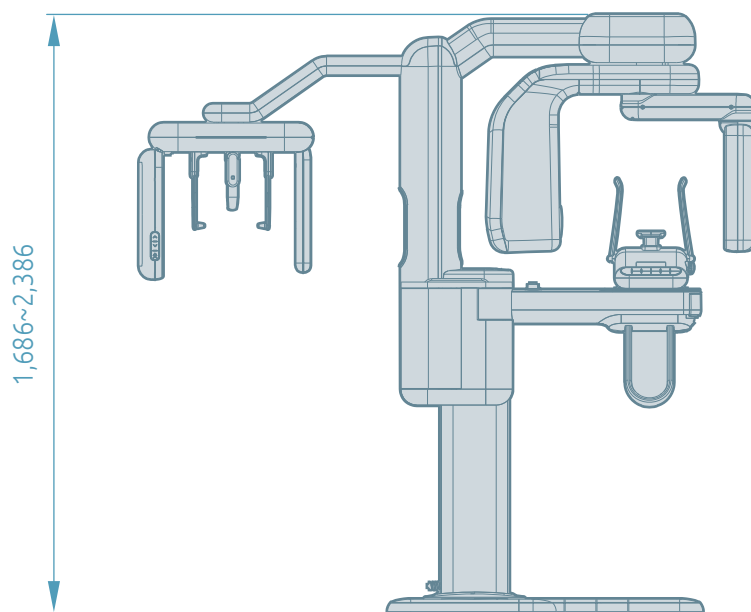
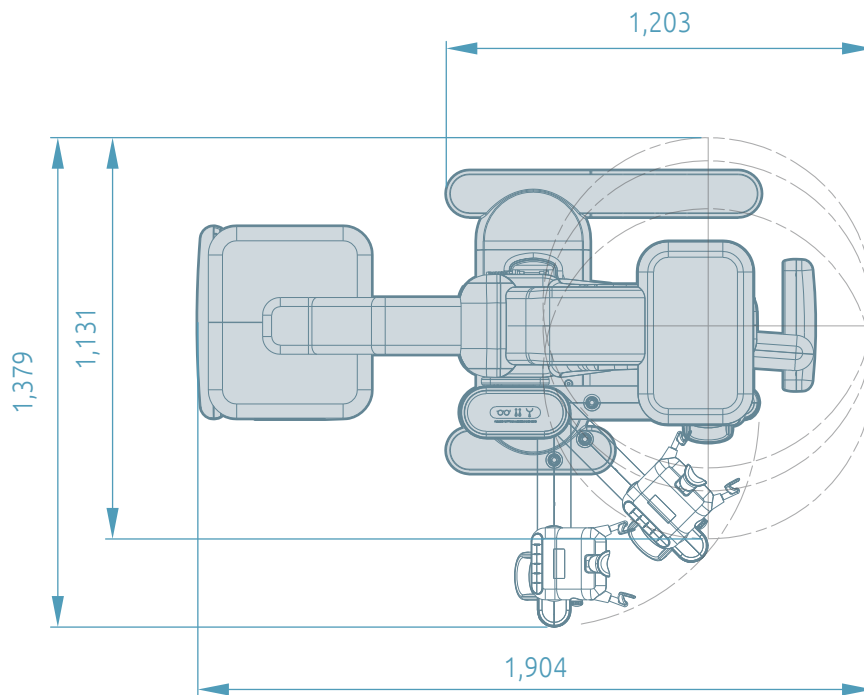
Temperature	-20 - 55°C (Detector: -15 - 55°C)
Relative Humidity	10 - 90% RH (No dew condensation)
Atmospheric Pressure	500 - 1,060hPa

For Operation

Temperature	15° - 35°C
Relative Humidity	30 - 75% RH (No dew condensation)
Atmospheric Pressure	800 - 1,060hPa

10. Dimensions

- Weight : 176kg \pm 5%
- Dimension : 1,203(W) x 1,379(D) x 2,386(H) mm





GENORAY Co.,Ltd.

512, 560, Dunchon-daero, Jungwon-gu,
Seongnam-si, Gyeonggi-do, 13230, Korea
Tel. +82-31-5178-5500 Fax. +82-31-5178-5599
genoray@genoray.com
www.genoray.com

GENORAY America Inc.

147 E. Bristol Lane Orange, CA 92865 USA
Tel. +1-855-436-6729 Fax. +1-714-786-8919
inquiry@genorayamerica.com
www.genorayamerica.com

GENORAY EU GmbH

Westhafenstr. 1 13353 Berlin, Germany
Tel. +49-30-509-694-98 Fax. +49-30-530-198-08
info@genorayeuropa.com

GENORAY Japan

2F Ishibashi-Bldg, 1-4-15 Shinyokohama, Kouhoku-ku,
Yokohama-city, kanagawa, 222-0033 Japan
Tel. + 81-45-620-4971 Fax. +81-45-620-4972
Info@genorayjapan.co.jp
www.genorayjapan.co.jp